

**SURFACE MOUNT GLASS PASSIVATED
HIGH EFFICIENCY SILICON RECTIFIER**
VOLTAGE RANGE 50 to 1000 Volts CURRENT 3.0 Ampere

FEATURES

- * Glass passivated device
- * Ideal for surface mounted applications
- * Low leakage current
- * Metallurgically bonded construction
- * Mounting position: Any
- * Weight: 0.24 gram

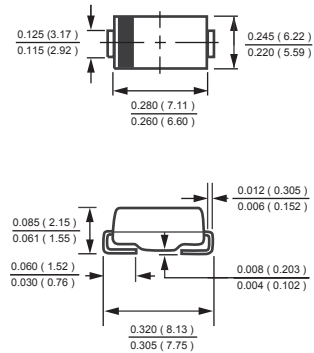
MECHANICAL DATA

- * Epoxy: Device has UL flammability classification 94V-0

NEW RELEASE



SMCL



Dimensions in inches and (millimeters)

MAXIMUM RATINGS AND ELECTRICAL CHARACTERISTICS

Ratings at 25 °C ambient temperature unless otherwise specified.
Single phase, half wave, 60 Hz, resistive or inductive load.
For capacitive load, derate current by 20%.

MAXIMUM RATINGS (@ TA=25 °C unless otherwise noted)

RATINGS	SYMBOL	HFM301L	HFM302L	HFM303L	HFM304L	HFM305L	HFM306L	HFM307L	HFM308L	UNITS	
Maximum Recurrent Peak Reverse Voltage	V_{RRM}	50	100	200	300	400	600	800	1000	Volts	
Maximum RMS Voltage	V_{RMS}	35	70	140	210	280	420	490	700	Volts	
Maximum DC Blocking Voltage	V_{DC}	50	100	200	300	400	600	800	1000	Volts	
Maximum Average Forward Rectified Current at $T_A = 50^\circ\text{C}$	I_O	3.0								Amps	
Peak Forward Surge Current 8.3 ms single half sine-wave superimposed on rated load (JEDEC method)	I_{FSM}	200				150			Amps		
Typical Thermal Resistance (Note 1)	$R_{\theta JL}$	15									$^\circ\text{C/W}$
Typical Thermal Resistance (Note 1)	$R_{\theta JA}$	60									$^\circ\text{C/W}$
Typical Junction Capacitance (Note 2)	C_J	70				50				pF	
Operating Temperature Range	T_J	150									$^\circ\text{C}$
Storage Temperature Range	T_{STG}	-55 to + 150									$^\circ\text{C}$

ELECTRICAL CHARACTERISTICS (@TA=25 °C unless otherwise noted)

CHARACTERISTICS	SYMBOL	HFM301L	HFM302L	HFM303L	HFM304L	HFM305L	HFM306L	HFM307L	HFM308L	UNITS	
Maximum Instantaneous Forward Voltage at 3.0A DC	V_F	1.0			1.3		1.7			Volts	
Maximum Full Load Reverse Current, Full cycle Average $T_A = 55^\circ\text{C}$	I_R	50									μA
Maximum Average Reverse Current @ $T_A = 25^\circ\text{C}$		2									μA
at Rated DC Blocking Voltage @ $T_A = 125^\circ\text{C}$		150									μA
Maximum Reverse Recovery Time (Note 4)	t_{rr}	50					75			nSec	

- NOTES : 1. Thermal Resistance : Mounted on PCB.
2. Measured at 1 MHz and applied reverse voltage of 4.0 volts.
3. "Fully ROHS compliant", "100% Sn plating (Pb-free)".
4. Test Conditions: $I_F = 0.5\text{A}$, $I_R = -1.0\text{A}$, $I_{RR} = -0.25\text{A}$.

RATING AND CHARACTERISTICS CURVES (HFM301L THRU HFM308L)

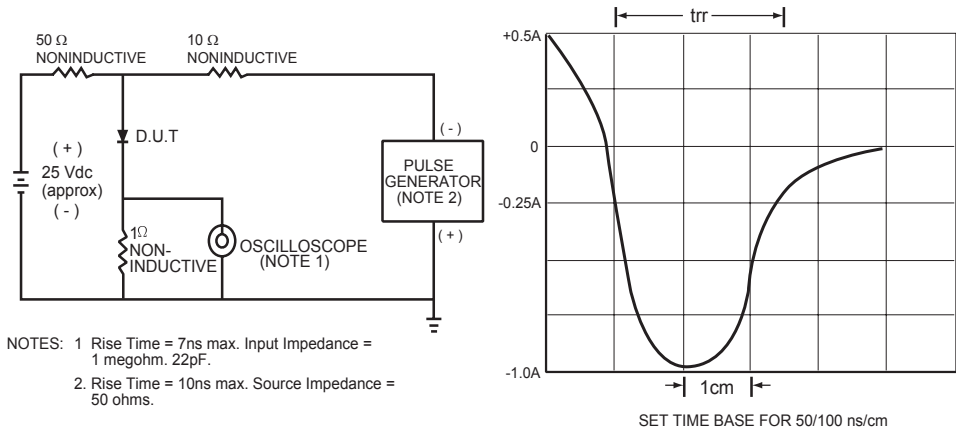


FIG.1 TEST CIRCUIT DIAGRAM AND REVERSE RECOVERY TIME CHARACTERISTIC

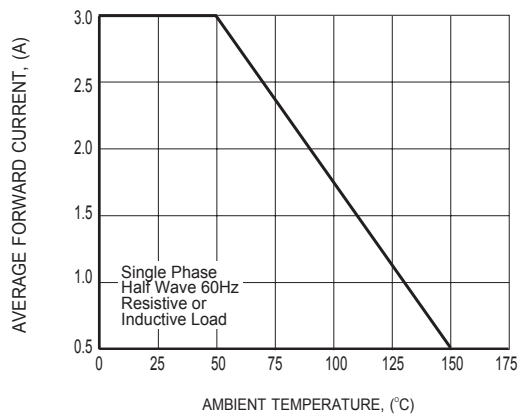


FIG.2 TYPICAL FORWARD CURRENT DERATING CURVE

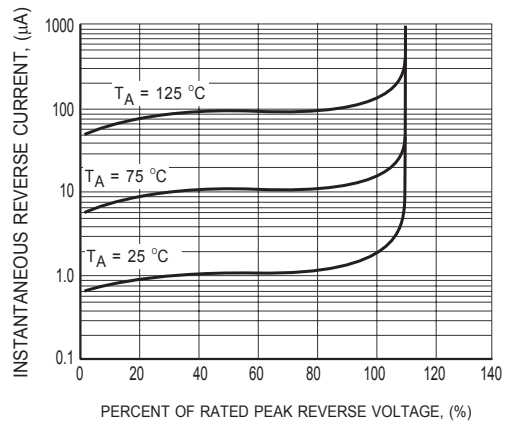


FIG.3 TYPICAL REVERSE CHARACTERISTICS

RATING AND CHARACTERISTICS CURVES (HFM301L THRU HFM308L)

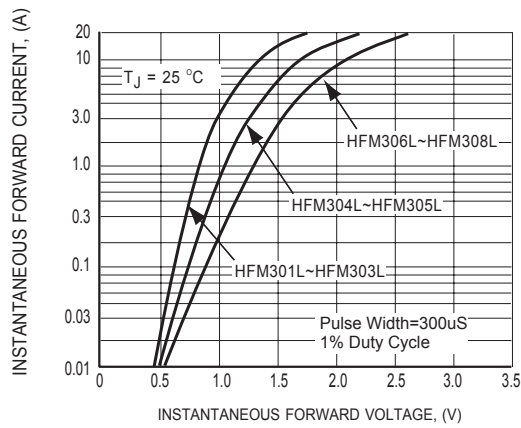


FIG.4 TYPICAL INSTANTANEOUS FORWARD CHARACTERISTICS

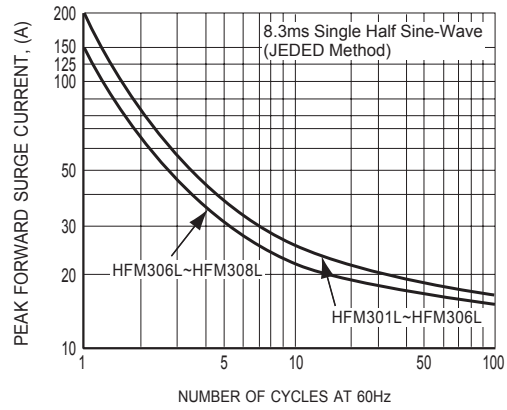


FIG.5 MAXIMUM NON-REPETITIVE FORWARD SURGE CURRENT

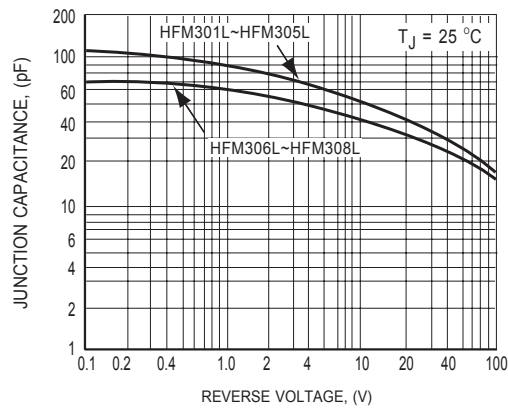
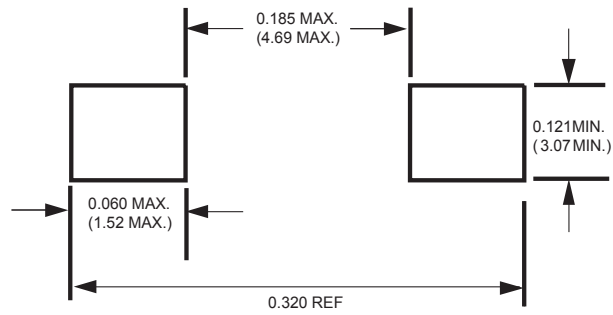


FIG.6 TYPICAL JUNCTION CAPACITANCE

Mounting Pad Layout



Dimensions in inches and (millimeters)

DISCLAIMER NOTICE

Rectron Inc reserves the right to make changes without notice to any product specification herein, to make corrections, modifications, enhancements or other changes. Rectron Inc or anyone on its behalf assumes no responsibility or liability for any errors or inaccuracies. Data sheet specifications and its information contained are intended to provide a product description only. "Typical" parameters which may be included on RECTRON data sheets and/ or specifications can and do vary in different applications and actual performance may vary over time. Rectron Inc does not assume any liability arising out of the application or use of any product or circuit.

Rectron products are not designed, intended or authorized for use in medical, life-saving implant or other applications intended for life-sustaining or other related applications where a failure or malfunction of component or circuitry may directly or indirectly cause injury or threaten a life without expressed written approval of Rectron Inc. Customers using or selling Rectron components for use in such applications do so at their own risk and shall agree to fully indemnify Rectron Inc and its subsidiaries harmless against all claims, damages and expenditures.